

MAKEN

Heavy Duty Large Cash Drawer

Make It Happen

INNOVATION QUALITY SERVICE



MK-460 / MK-480

Made of heavy gauge steel, suitable for heavy duty use and prolonged operational life, the ideal choice for reliability and perfect platform for any EPOS terminal. Adjustable and removable 5-note and 8-coin Cash tray with metal wire grippers, making it worldwide compatible.



Stainless steel drawer front



Durable Metal Wire Gripper Bill Holder Tested over one million operations

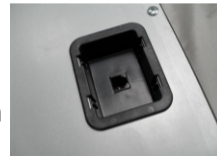
Easy and comfortable operation. Human Engineering Design

Removable and adjustable cash tray



Packed Bill Storage Media Storage

Easy access interface location



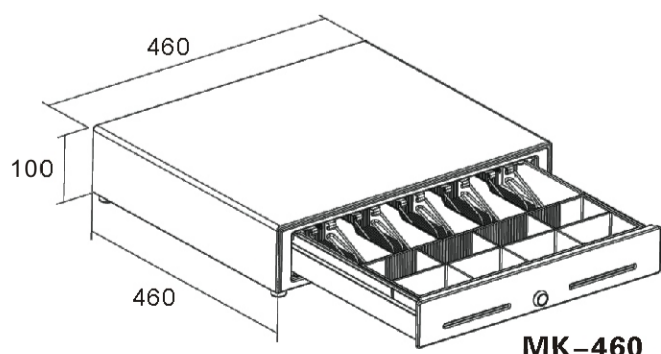
The roller bearing and suspension system provides effortless and durable performance

MK-460 / MK-480 Series Specifications

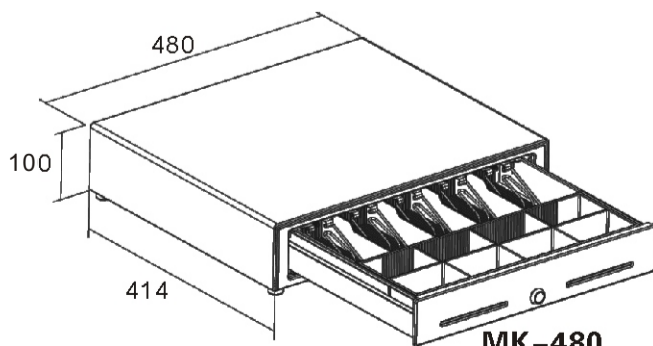
MODEL NUMBER	MK-460	MK-480
PHYSICAL		
Dimension	460 (W)x460 (D)x100 (H)mm	480(W)x414(D)x100(H)mm
Construction	Thick gauge cold rolled steel & SECC	
Finish	Textured hybrid powder coat	
Color	Black, Beige and Custom type	
Roller	Polyurethane for smooth operation	
CASH TRAY (INSERT)		
Construction	Shatter-resistant plastic	
Currency Layout	5-Bill with Metal Metal wire grips, 8 Adjustable Coin Slots	
Media Slots	2	
OPERATION		
Drawer Lock	3-Position lock / 4-Functions: locked open/ closed, manual open, electronically driven	
Interface	RJ11, RJ12, USB, RS232, DC Φ 2.5 /3.5 Jack, custom type	
Lifecycle	MTBF 1,000,000 times +	
Micro Switch	Cash Drawer Status Micro Switch	

OPTION	ACCESSORIES	
	Part Number	Description
Micro-switch		
Stainless Steel Front	Tray-4658	Cash Tray
Cash tray with different currency layout	Bracket-41268	Under Mounting brackets
Different color	DT-100U	USB Trigger
Different interfaces	DT-100RS	Serial Interface Trigger

Packing Details			
Models	Net Weight(kg)	Gross Weight(kg)	Carton Size(cm)
MK-460	10.3	11.3	52.5 × 51.5 × 17.0
MK-480	10.8	11.5	48.0 × 53.5 × 17.0



MK-460



MK-480

Xiamen Maken Tech Co., Ltd.

2Floor, A Building, No.68, North Road,
High-tech Zone, Huli District, Xiamen 361006,
Fujian, China

Tel: +86-592-5768733
Fax: +86-592-5768735
www.maken.com.cn
E-mail: export@maken.com.cn

Specifications are subjected to change without notice.

